

23 WALL ELEVATION
1/4" = 1'-0"

STUDS				
NO.	DESCRIPTION	QUANTITY	DIMENSION	UNPUNCHED
ST-1	6X2 16 ga. DELTA STUD	16	VARIES	-

TRACKS			
NO.	DESCRIPTION	QUANTITY	DIMENSION
TR-1	6X1.25 16 ga. TRACK	1	16'-0"
TR-2	6X1.25 16 ga. TRACK	1	16'-2 7/8"

MISCELLANEOUS			
NAME	DESCRIPTION	QUANTITY	LOCATION
SLB600	TSN VERTICLIP SLB W/ (3) #12	16	EACH STUD
REPAIR	6X1.25 16 ga. TRACK X0'-8"	0	
BRIDGING	16 ga. CRC OR BRIDGE BAR @ 4'-0" O.C.	4 ROWS	
B-CLIP	BRIDGE CLIP	4X16 ±	1 @ EACH STUD
O-CLIP	OPENING CLIP 3X3 16 ga. X0'-6"	0	OPENING
L-CLIP	3X3 16 ga. X0'-5"	0	BTM. OF JAMB

FASTENERS			
NAME	DESCRIPTION	QUANTITY	LOCATION
TEK-1	#10 TEK	64	STUD TO TRACK
TEK-2	#12 TEK	48	SLB
TEK-3	#12 TEK	0	OPENINGS (6 PER CLIP)
TEK-4	#10 TEK	4X16 ±	B-CLIP
TEK-5	#12 TEK	0	REPAIR (6 EACH)
PAF-1	HILTI X-U 47 @ 12" O.C.	17	TRACK TO FDN
PAF-2	HILTI X-U 16	32	SLB
PAF-3	HILTI X-U 16 @ 12" O.C.	0	DEFLECTION TRACK

STUDS				
NO.	DESCRIPTION	QUANTITY	DIMENSION	UNPUNCHED
ST-1	6X1.625 16 ga. DELTA STUD	0	VARIES	-
ST-2	6X1.625 16 ga. DELTA STUD	4	7'-7"	-
ST-3	6X1.625 16 ga. DELTA STUD	9	1'-5"	-

TRACKS			
NO.	DESCRIPTION	QUANTITY	DIMENSION
TR-1	6X1.25 18 ga. TRACK	2	19'-8 3/8"
TR-2	6X2 16 ga. TRACK	2	18'-6 1/8"

MISCELLANEOUS			
NAME	DESCRIPTION	QUANTITY	LOCATION
SLB600	TSN VERTICLIP SLB W/ (3) #12	0	EACH STUD
REPAIR	6X1.25 16 ga. TRACK X0'-8"	0	
BRIDGING	16 ga. CRC OR BRIDGE BAR @ 4'-0" O.C.	0	
B-CLIP	BRIDGE CLIP	0	1 @ EACH STUD
O-CLIP	OPENING CLIP 3X3 16 ga. X0'-6"	4	OPENING
L-CLIP	3X3 16 ga. X0'-5"	0	BTM. OF JAMB
HAT	1' 16 ga. HAT CHANNEL	19'-8 3/8"	BTM OF WALL

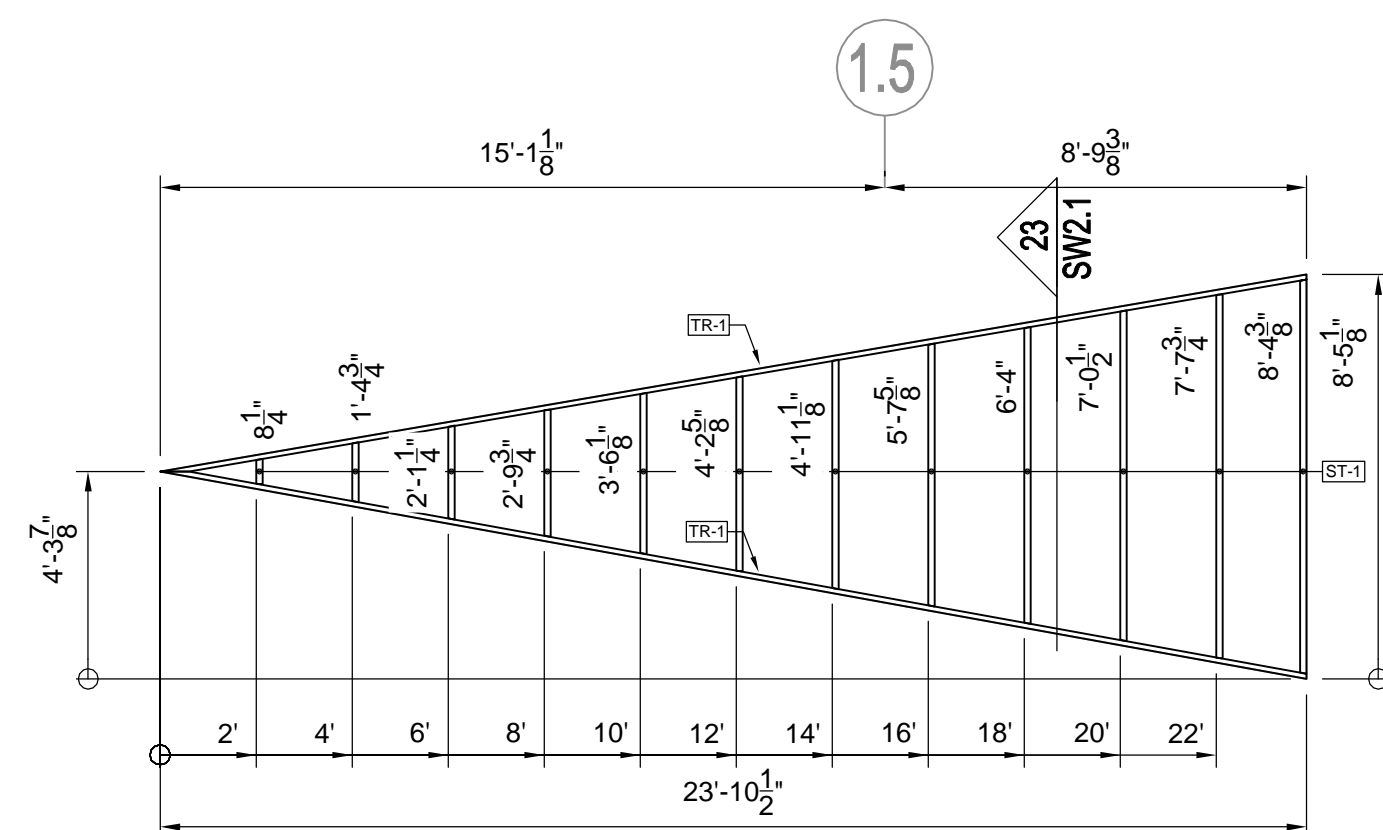
FASTENERS			
NAME	DESCRIPTION	QUANTITY	LOCATION
TEK-1	#10 TEK	52	STUD TO TRACK
TEK-2	#12 TEK	0	SLB
TEK-3	#12 TEK	24	OPENINGS (6 PER CLIP)
TEK-4	#12 TEK	0	L-CLIP
TEK-5	#12 TEK	0	REPAIR (6 EACH)
TEK-6	(2) #12 TEK @ 12" O.C.	42	TRACK TO ROOF
PAF-1	HILTI X-U 16 @ 12" O.C.	20	TRACK TO HSS
PAF-2	HILTI X-U 47	0	L-CLIP

STUDS				
NO.	DESCRIPTION	QUANTITY	DIMENSION	UNPUNCHED
ST-1	6X1.625 16 ga. DELTA STUD	12	VARIES	-

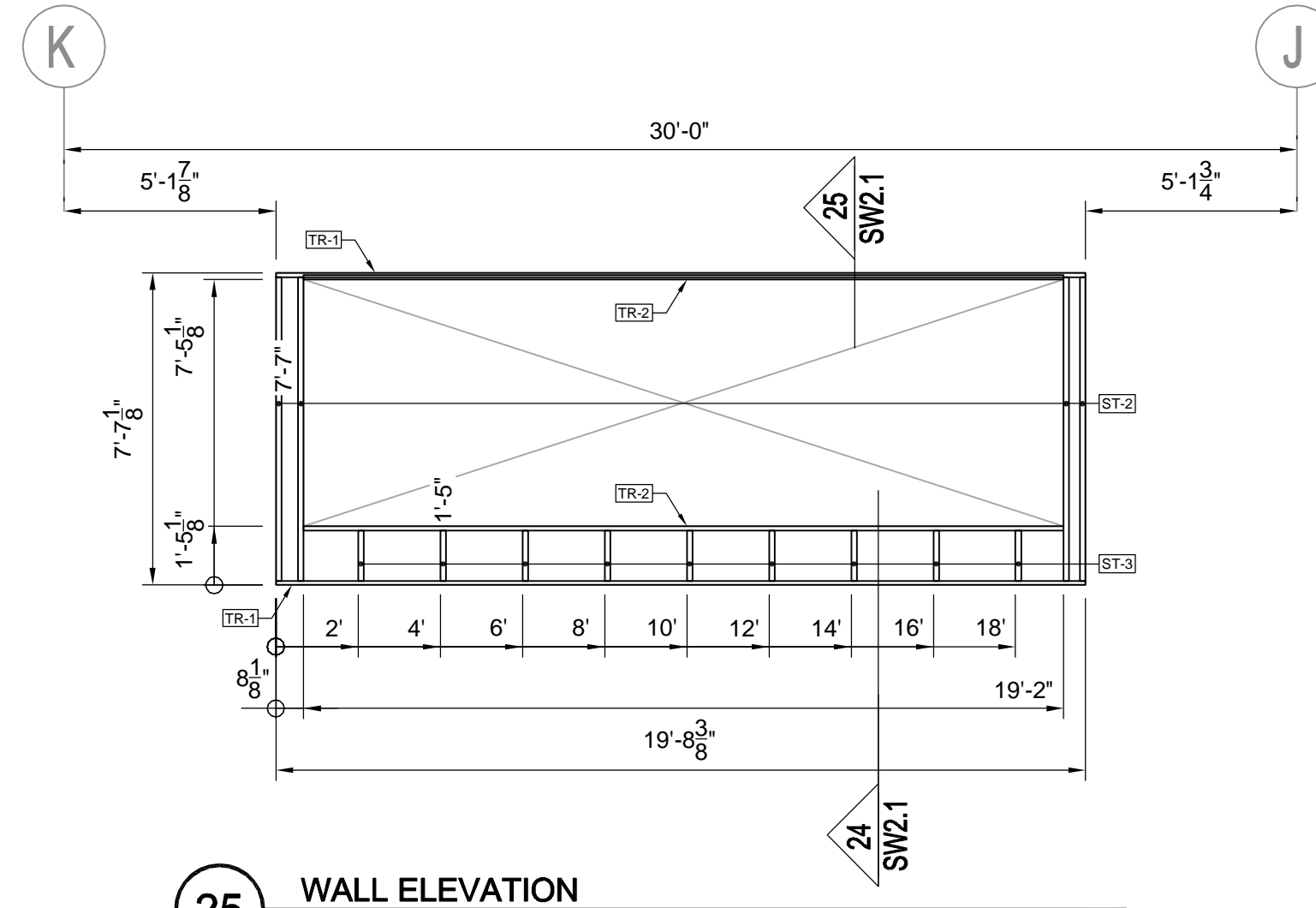
TRACKS			
NO.	DESCRIPTION	QUANTITY	DIMENSION
TR-1	6X1.25 18 ga. TRACK	2	24'-3"

MISCELLANEOUS			
NAME	DESCRIPTION	QUANTITY	LOCATION
SLB600	TSN VERTICLIP SLB W/ (3) #12	0	EACH STUD
REPAIR	6X1.25 16 ga. TRACK X0'-8"	0	
BRIDGING	16 ga. CRC OR BRIDGE BAR @ 4'-0" O.C.	1 ROW	
B-CLIP	BRIDGE CLIP	12	1 @ EACH STUD
O-CLIP	OPENING CLIP 3X3 16 ga. X0'-6"	0	OPENING
L-CLIP	3X3 16 ga. X0'-5"	0	BTM. OF JAMB

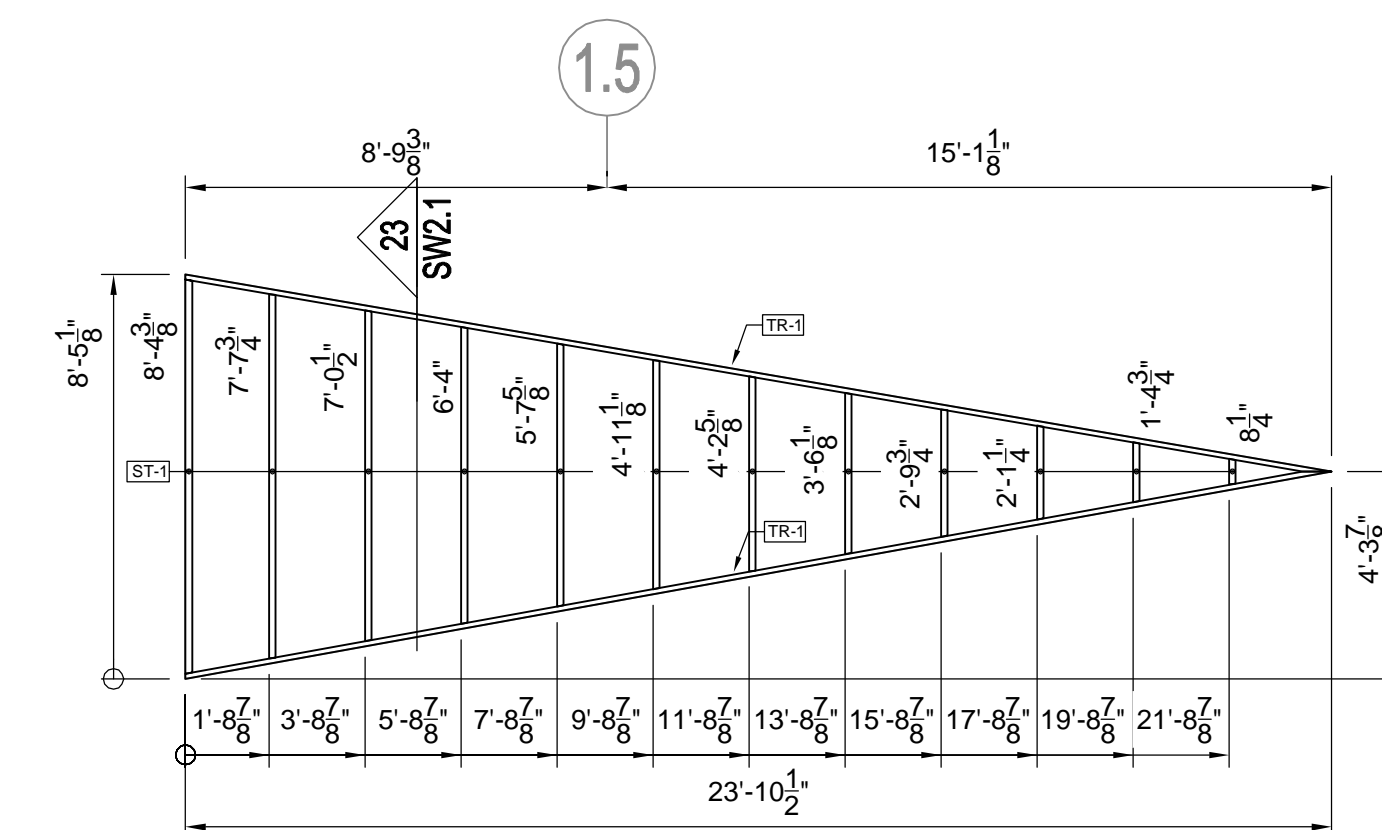
FASTENERS			
NAME	DESCRIPTION	QUANTITY	LOCATION
TEK-1	#10 TEK	48	STUD TO TRACK
TEK-2	#12 TEK	0	SLB
TEK-3	#12 TEK	0	OPENINGS (6 PER CLIP)
TEK-4	#10 TEK	12	B-CLIP
TEK-5	#12 TEK	0	REPAIR (6 EACH)
TEK-6	#10 TEK @ 6" O.C.	51	TRACK TO ROOF
PAF-1	HILTI X-U 16 @ 16" O.C.	19	TRACK TO CHANNEL
PAF-2	HILTI X-U 16 @ 12" O.C.	0	DEFLECTION TRACK



24 WALL ELEVATION
1/4" = 1'-0"



25 WALL ELEVATION
1/4" = 1'-0"



26 WALL ELEVATION
1/4" = 1'-0"